

Medium-Duty Hold-Down Release Mechanism

1.5 kN Release Preload Mechanical Release Unit (MRU)

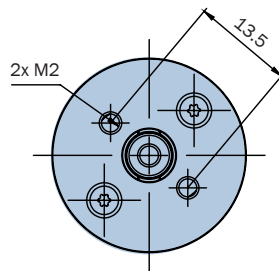
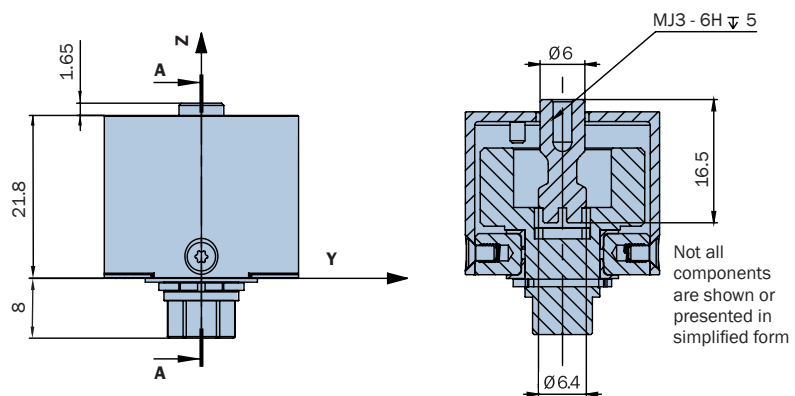


HOLD-DOWN RELEASE MECHANISM, MEDIUM-DUTY



How To Order	
Part No.	GSS500-000010
Matching HDRM	
GSS500-000005	
Description	
Medium Duty MRU, 1.5 kN	

- Mechanical release unit for functional, ground testing only to save resources and time
- MRU unit fulfill one-by-one the geometrical interface of the flight hardware
- Easy resettable, up to 30 times usage tested, continued usage expected
- Not dedicated for thermal, dynamic or shock tests



MATERIAL/FINISH

Aluminium alloy, Stainless steel

NOTES

- Unit is identified with Glenair name, CAGE code, part number, and date code, space permitting
- Release preload: 1.5 kN
- HDRM references Glenair p/n GSS500-000005
- Weight: 56 g
- Contact your sales representative whilst using customized HDRMs

